

PRODUCTION IN 14 COUNTRIES

ORIGINAL

HERCULES - MEGAHERCULES  
SINGLE MOUNT WHEEL



The wheel that world trusts...

- Passenger Car Wheels (Steel)
- Passenger Car Wheels (Aluminum)
- Heavy & Commercial Vehicle Wheels
- Off-Road/Agriculture Wheels
- Sales/Engineering Office

**Maxion Jantaş Jant San. ve Tic. A.Ş.**  
Organized Industrial Site II, Section Keçiliköyosb Neigh.  
Gaziler District No:8 45030 Yunusemre/Manisa/TURKEY  
Tel: +90 236 233 43 29 | Fax: +90 236 233 43 30  
www.maxionwheels.com | info-jantas@maxionwheels.com

**MAXION  
JANTAS**

www.maxionwheels.com

INCI HOLDING

**MAXION  
WHEELS**  
Maxion Jantaş  
Bir Maxion Wheels  
Group şirkettir.

ORIGINAL

# HERCULES

5 TON CARRYING CAPACITY

Maxion Jantaş breaks new ground. We have created a stronger wheel for heavy duty commercial vehicles: It's the Hercules with 5 ton carrying capacity! The entire world trusts Hercules for the most difficult road conditions.



22,5 x 9,00



### Stronger disc!

Disc thickness is increased from 14 mm to 16 mm and its disc profile is strengthened.

### Stronger body!

Ventilation hole area is thickened to create a stronger structure

### Stronger clamping!

Inner and outer surfaces are machined to reduce planarity tolerance to 0,2 mm Thus; a better contacting of wheel to drum surface, exact clinching of outer wheel surface to each other in double mounting, more equal distribution of load on wheel and lowering the risk of losing the wheel nuts to a minimum level.

### Stronger rims!

Thickness of rims is increased to 6,6 mm and HSLA (High Strength Low Alloy) is used.

	STANDARD	HERCULES	SPEED RATE	LOAD CAPACITY
Wheel size	22,5 x 9,00	22,5 x 9,00 (Hercules)	60 km/hr	5.000 kg
Wheel referance	229202	229154	50 km/hr	5.100 kg
Disc thickness	14 mm ± 0,5 mm	16 mm ± 0,5 mm	40 km/hr	5.250 kg
Rim thickness	6,0 mm	6,6 mm	30 km/hr	5.7500 kg
Load capacity	4000 kg/90 km	5000 kg/80 km	25 km/hr	6.700 kg
			20 km/hr	7.000 kg
			10 km/hr	8.500 kg
			Static	12.000 kg

Vehicles of Usage: All heavy duty trucks and tippers (Mercedes, Ford, BMC, Renault, DAF, Volvo, Scania, MAN etc.)

ORIGINAL

# MEGA HERCULES

6 TON CARRYING CAPACITY

Maxion Jantaş breaks new ground. We have created a stronger wheel for heavy duty commercial vehicles than ever known; It is the Mega Hercules with 6 ton carrying capacity



22,5 x 9,00



### Stronger disc!

Disc thickness is increased from 14 mm to 16 mm and its disc profile is strengthened.

### Stronger body!

Ventilation hole area is thickened to create a stronger structure

### Stronger clamping!

Inner and outer surfaces are machined to reduce planarity tolerance to 0,2 mm Thus; a better contacting of wheel to drum surface, exact clinching of outer wheel surface to each other in double mounting, more equal distribution of load on the wheel and lowering the loosing risk of wheel nut to minimum level.

### Stronger rims!

Thickness of rim is increased to 7,2 mm and HSLA (High Strength Low Alloy) is used.

	HERCULES	MEGA HERCULES	SPEED RATE	LOAD CAPACITY
Wheel size	22,5 x 9,00	22,5 x 9,00 (Mega Herkül)	60 km/hr	6.000 kg
Wheel referance	229154	229154 S	50 km/hr	6.120 kg
Disc thickness	16 mm ± 0,5 mm	16 mm + 0,5 mm	40 km/hr	6.300 kg
Rim thickness	6,6 mm	7,2 mm	30 km/hr	6.900 kg
Load capacity	5000 kg	6000 kg	25 km/hr	8.000 kg
			20 km/hr	8.400 kg
			10 km/hr	10.200 kg
			Static	14.400 kg

Vehicles of Usage: All heavy duty trucks and tippers (Mercedes, Ford, BMC, Renault, DAF, Volvo, Scania, MAN etc.)

STRENGTHENED

# SINGLE MOUNT WHEEL

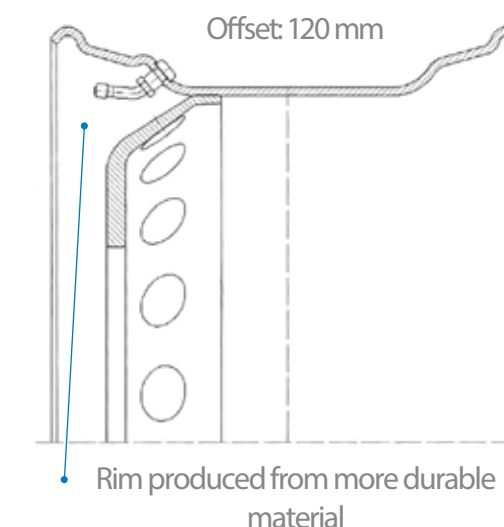


22,5 x 11,75

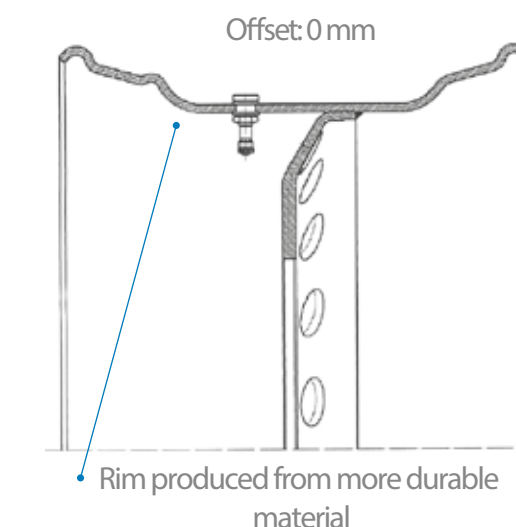


5 TON CARRYING CAPACITY

The world's strongest wheel in its category with signature of Maxion Jantaş . We have created a stronger wheel by using high strength steel on rims of single mount wheels. Now our single mount wheel has 5 tons carrying capacity.



DISC BRAKE SINGLE MOUNT WHEEL



DRUM BRAKE SINGLE MOUNT WHEEL

Outer valve wheels

	STANDARD	STRENGTHENED SINGLE MOUNT WHEEL	
Wheel size	22,5 x 11,75	22,5 x 11,75	
Wheel referance	0 mm Offset	2920488	2920687 Drum Brake
	120 mm Offset	2920520	2920751 Disc Brake
Load capacity	4500 kg	5000 kg	
Wheel weight	43,5 kg	42 kg*	

\*valid for disc brake pilot wheel